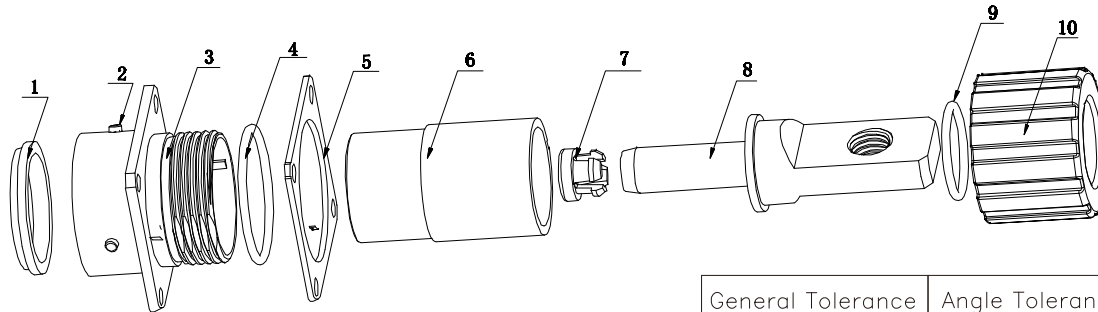
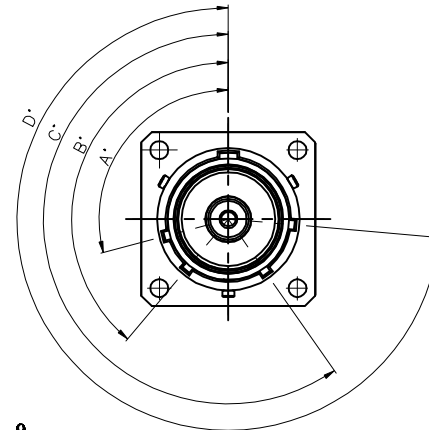
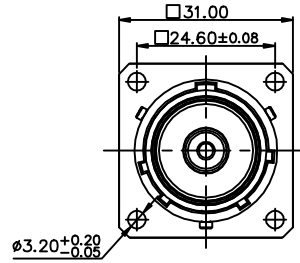
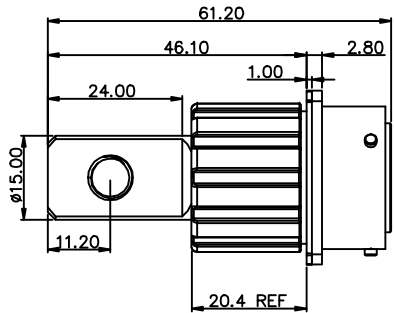
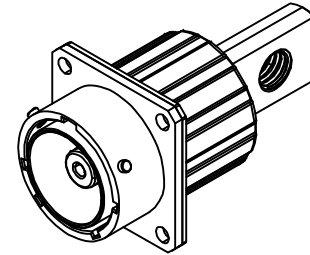
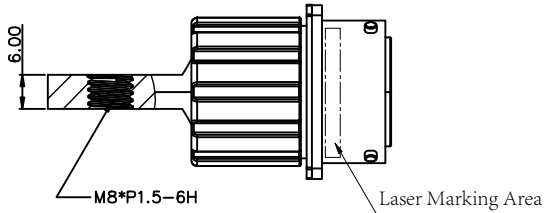


PN	16# Socket housing	Key	Color	A±1°	B±1°	C±1°	D±1°
X01-S01-H1601-N08	X01-S01-H1601-N01	N	black U	105°	140°	215°	265°
X01-S01-H1601-W08	X01-S01-H1601-W01	W	yellow 142U	30°	140°	215°	265°
X01-S01-H1601-X08	X01-S01-H1601-X01	X	red 3517U	105°	165°	215°	265°
X01-S01-H1601-Y08	X01-S01-H1601-Y01	Y	green 2465U	105°	140°	225°	265°
X01-S01-H1601-Z08	X01-S01-H1601-Z01	Z	blue 306U	105°	140°	215°	315°

ECN NO.	REV	DATE	DESCRIPTION	MDF'D	APP'D
	A0	2022.6.8	Initial version	ZsH	Qilin

List1



Technical requirements:

- Material:  
Contact: a. copper alloy/silver plated;  
Shell: PA66+GF, flame retardant grade UL94-V0;  
Waterproof parts: NE-1340 silicone rubber;
- Rated voltage: 1000V DC;
- Rated current: 150A max
- Withstand voltage: 3000V AC
- Insulation resistance:>2000m Ω (normal)
- Working temperature: - 40 C ~+125 C
- Mechanical life:>200 times
- Insertion force:<75N
- Waterproof grade: IP67/IPX9 (matching status)
- With high voltage interlock or not: Yes
- The product meets the ROHS requirements for environmental protection.

10	16# Socket back cover	X01-S01-H1601-005	1	
9	Oring φ17*1.5	B04-017-015-00001	1	
8	8mm Copper row	X01-S01-H1601-M8A	1	
7	8mm Anti-touch cap	X01-S01-T08SH-007	1	
6	Socket inner sheath	X01-S01-H1601-002	1	
5	Socket seal 16#	X01-S01-H1601-007	1	
4	Oring φ13*1.5	B04-013-015-00001	1	
3	Socket housing	List1	1	
2	Snap studs	B12-M12018-00000	3	
1	Socket Oring 16#	X01-S01-H1601-N06	1	
No	Name	PN	NUM	Backup

General Tolerance	Angle Tolerance
X ±0.5	±1°
.X ±0.2	Unless otherwise specified, dimensions are in metric and tolerances are
.XX ±0.1	
MATL: SEE-NOTES	
CUSTOMER-DRAWING	

POWER DYNAMICS INC.			
145 Algonquin Parkway, Whippany, NJ 07981			
Phone: 1-973-560-0019		e-mail: sales@powerdynamics.com www.powerdynamics.com	
DESIGNER	ZsH	TITLE: XX108 High Voltage Metal Socket	
CHECKED	ZsH	PARTS NO: X01-S01-H1601-XXX	
APPROVAL	Qilin	(UNIT): mm	(SCALE): 1:1 (SHT): 1/1